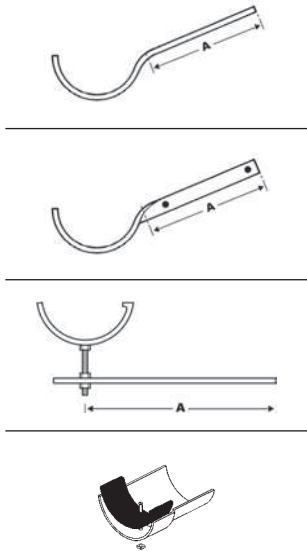


Plain Half Round Gutter				
Description	100mm (4")	115mm (4.5")	125mm (5")	150mm (6")
1829mm (6')	HR4001	HR4501	HR5001	HR6001
Angles				
Description	100mm (4")	115mm (4.5")	125mm (5")	150mm (6")
Square (90°) Left Hand	HR4010	HR4510	HR5010	HR6010
Square (90°) Right Hand	HR4011	HR4511	HR5011	HR6011
A	175mm	191mm	204mm	228mm
B	179mm	201mm	204mm	229mm
Obtuse (135°) Left Hand	HR4012	HR4512	HR5012	HR6012
Obtuse (135°) Right Hand	HR4013	HR4513	HR5013	HR6013
A	117mm	122mm	121mm	132mm
B	115mm	120mm	125mm	138mm
Outlets				
Description	100mm (4")	115mm (4.5")	125mm (5")	150mm (6")
<b>A= 65mm (2.5"), B= 75mm (3"), C= 100mm (4")</b>				
Nozzle (Centre Drop)	HR4020A	HR4520A	HR5020A	HR6020C
	HR4020B	HR4520B	HR5020B	HR6020B
A	240mm	240mm	240mm	240mm
B	120mm	120mm	120mm	120mm
Dropend External	HR4021A	HR4521A	HR5021A	HR6021C
	HR4021B	HR4521B	HR5021B	HR6021B
A	200mm	200mm	200mm	200mm
B	82mm	81mm	71mm	69mm
Dropend Internal	HR4022A	HR4522A	HR5022A	HR6022C
	HR4022B	HR4522B	HR5022B	HR6022B
A	200mm	200mm	200mm	200mm
B	60mm	60mm	60mm	60mm
Stopends				
Description	100mm (4")	115mm (4.5")	125mm (5")	150mm (6")
External	HR4030	HR4530	HR5030	HR6030
Internal	HR4031	HR4531	HR5031	HR6031
A	50mm	50mm	50mm	50mm
Union Clip				
Description	100mm (4")	115mm (4.5")	125mm (5")	150mm (6")
Union Clip	HR4035	HR4535	HR5035	HR6035
A	100mm	100mm	100mm	100mm
Fascia Bracket				
Description	100mm (4")	115mm (4.5")	125mm (5")	150mm (6")
Fascia Bracket	HR4040	HR4540	HR5040	HR6040
A	75mm	75mm	75mm	75mm
B	85mm	85mm	85mm	85mm



Galvanised Steel Brackets				
Description	100mm (4")	115mm (4.5")	125mm (5")	150mm (6")
Top Fixing Rafter Bracket	HR4041	HR4541	HR5041	HR6041
A	235mm	235mm	235mm	235mm
Side Fixing Rafter Bracket	HR4042	HR4542	HR5042	HR6042
A	190mm	190mm	190mm	190mm
Rise & Fall Bracket (Threaded Stem 130mm)	HR4043	HR4543	HR5043	HR6043
A	300mm	300mm	300mm	300mm
Gutter Joining Kit				
Description	NEW IMPROVED DESIGN			
10 Rubber Gaskets, Bolts, Nuts & Washers	HR0006			

Gutter Joining Kit is suitable for Plain Half Round and Beaded Half Round only.

